



# **Electric Lock Installation Manual**

**Model: LM-149**

**[www.WholesaleGateOpener.com](http://www.WholesaleGateOpener.com)**

# Electric Lock (LM149) Installation Manual

**Note:** When the length of your gate is more than 1.5 meters, we recommend installing the Electric Lock. It is necessary to improving the safety and prevents the breakages at strong wind.

## Electric Lock Part List



## Important Information:

1. Before you install the Electric Lock please be sure the gate is level, moves freely, and does not bind or block against barriers.
2. For the Electric Lock to work correctly, the gate must close firmly engage the lock catch against the lock receiver.
3. The Electric Lock must be installed on the outside of the gate if on the **Push-to-Open** gate.
4. Due to the various mounting conditions, mounting hardware is not provided. Read this manual carefully to determine the mounting hardware required for your condition.
5. For dual gate, the lock must be installed on the Master Gate (gate 1) which is near by the Control Box, the lock receiver must be installed on the Slave Gate (gate 2).

## Installation for Single Gate

**Step 1:** Disengage the clutch of the opener with the Triangular Key, you can move the gate by hand, so the gate can swing freely during installation of the Electric Lock.

**Step 2:** With the gate in the closed position, determine the best location for the lock and receiver. The lock and receiver must be level and aligned with the opener. The lock and receiver should have a solid surface or tube fence to provide stability.

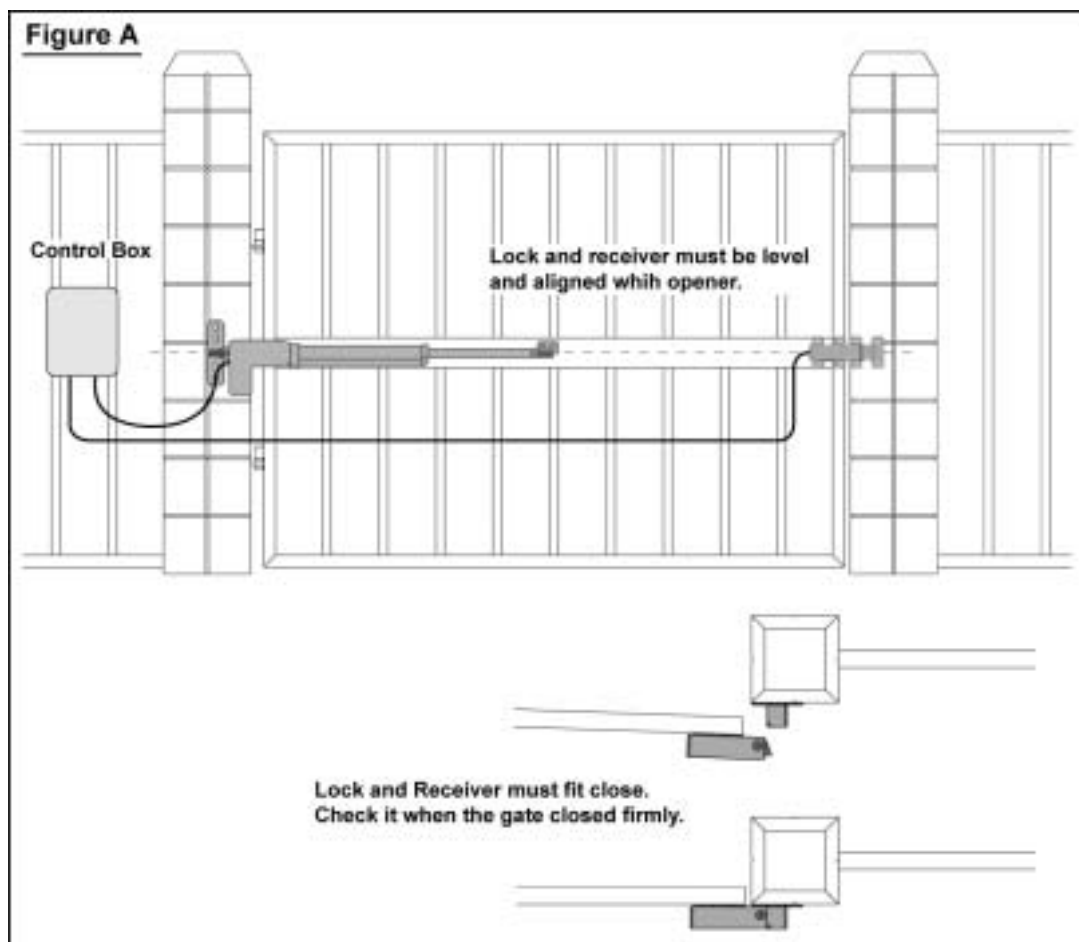
**Step 3:** For **Metallic Tube** gate, if the thickness of the fence post is larger than or equal to 3mm, you can thread on the fence post, fasten the lock and receiver only use bolts (without washers and nuts). Otherwise, drill holes through out the fence post, fasten the lock and receiver with bolts, lock washers and nuts.

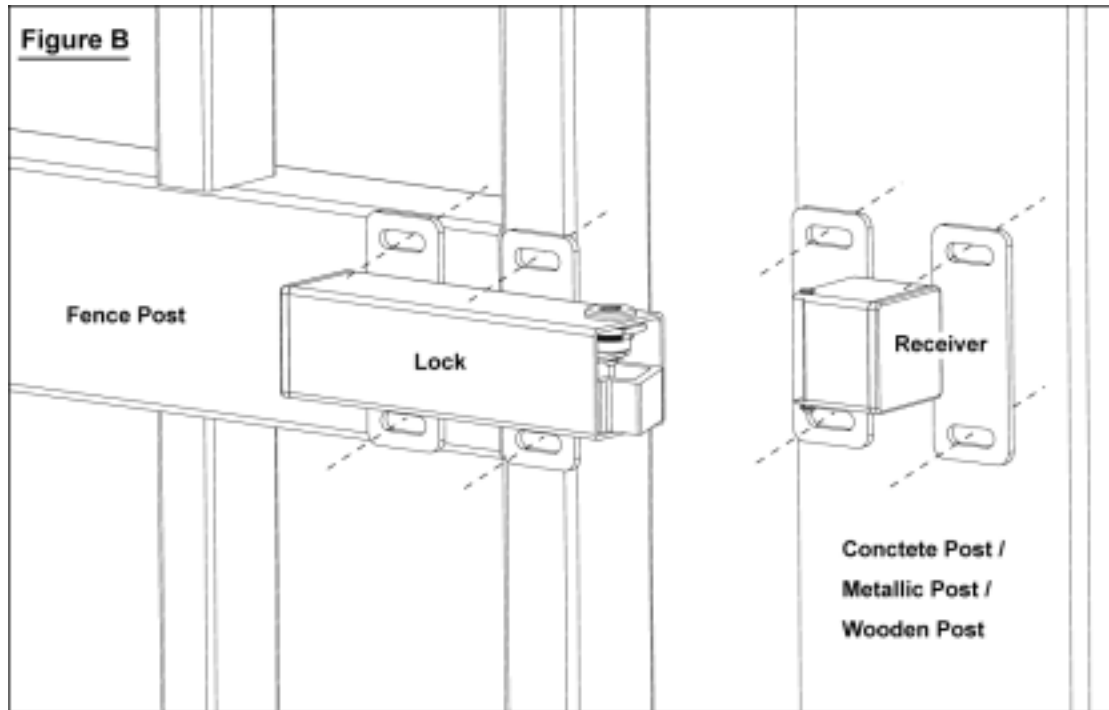
For **Chain Link** gate, you will need U-Bolts, saddles, lock washers and nuts for the lock and receiver.

**Step 4:** Recheck the lock's position and alignment, make sure the electric lock to work correctly.

**Step 5:** Connect the lock's power cables to the **Lockmaster 901/902's** control board. (See Figure E)

**Note:** Be sure that the clutch of the opener is engaged before you prepare to activate your opener. (Use the Triangular Key)





## Installation for Dual Gate

**Step 1:** Disengage the clutches of the openers with the Triangular Key, you can moves the gates by hand, so the gates can swing freely during installation of the Electric Lock.

**Step 2:** With the gates in the closed position, determine the best location for the lock and receiver. The lock and receiver must be level and aligned with the openers. The lock and receiver should have a solid surface or tube fence to provide stability.

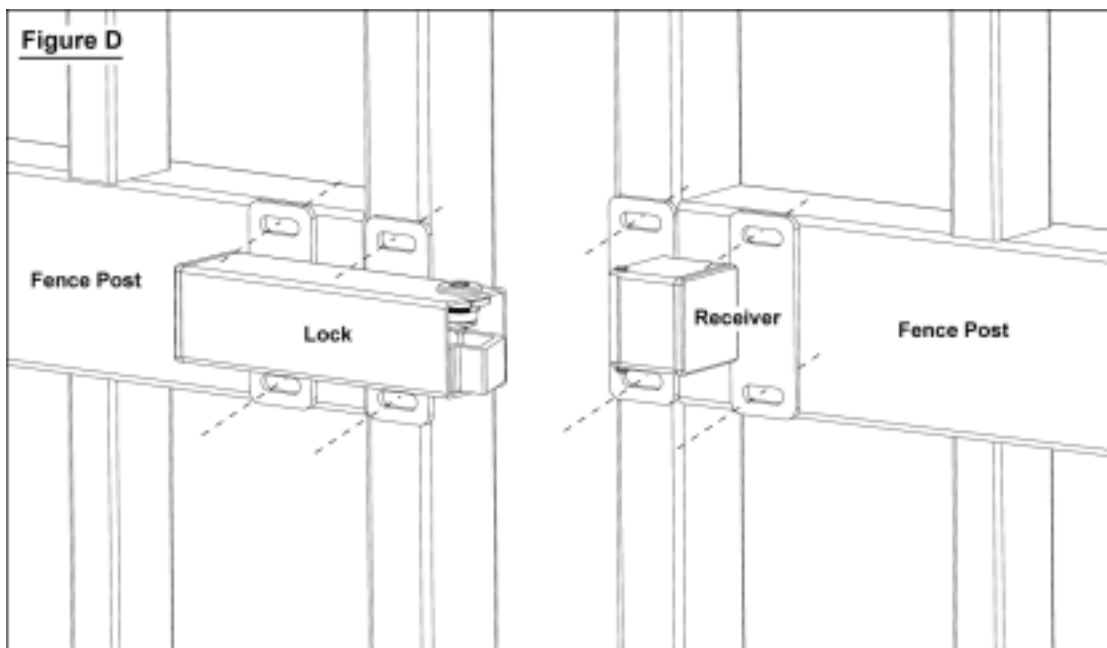
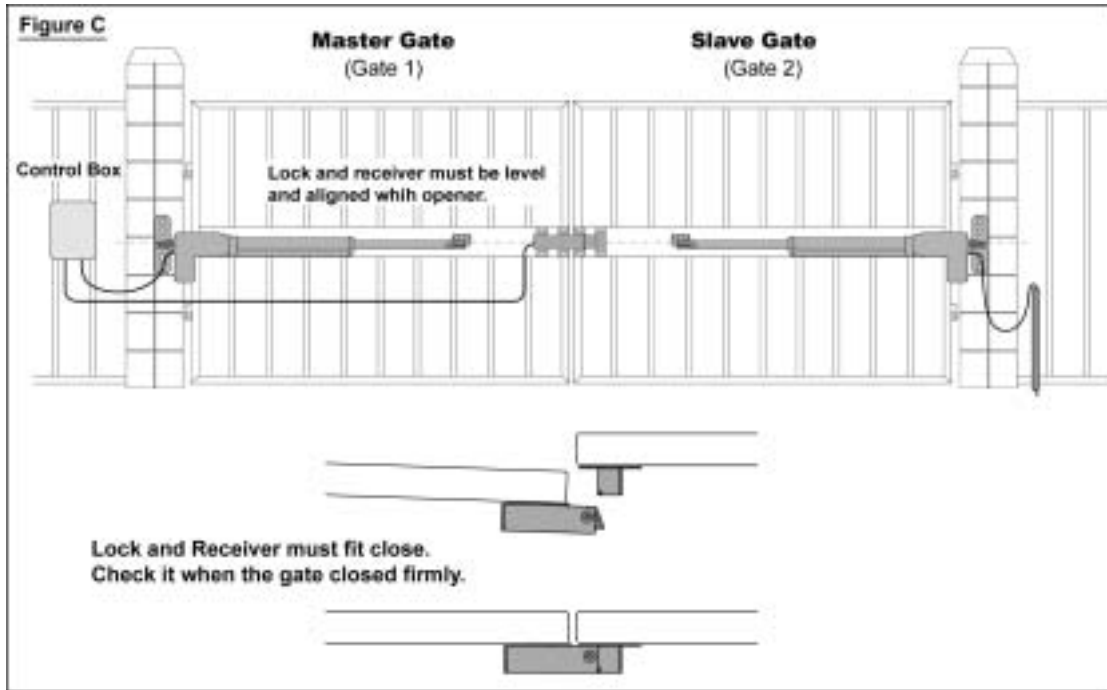
**Step 3:** For **Metallic Tube** gates, if the thickness of the fence post is larger than or equal to 3mm, you can threading on the fence post, fasten the lock and receiver only use bolts (without washers and nuts). Otherwise, drill holes through out the fence post, fasten the lock and receiver with bolts, lock washers and nuts.

For **Chain Link** gates, you will need U-Bolts, saddles, lock washers and nuts for the lock and receiver.

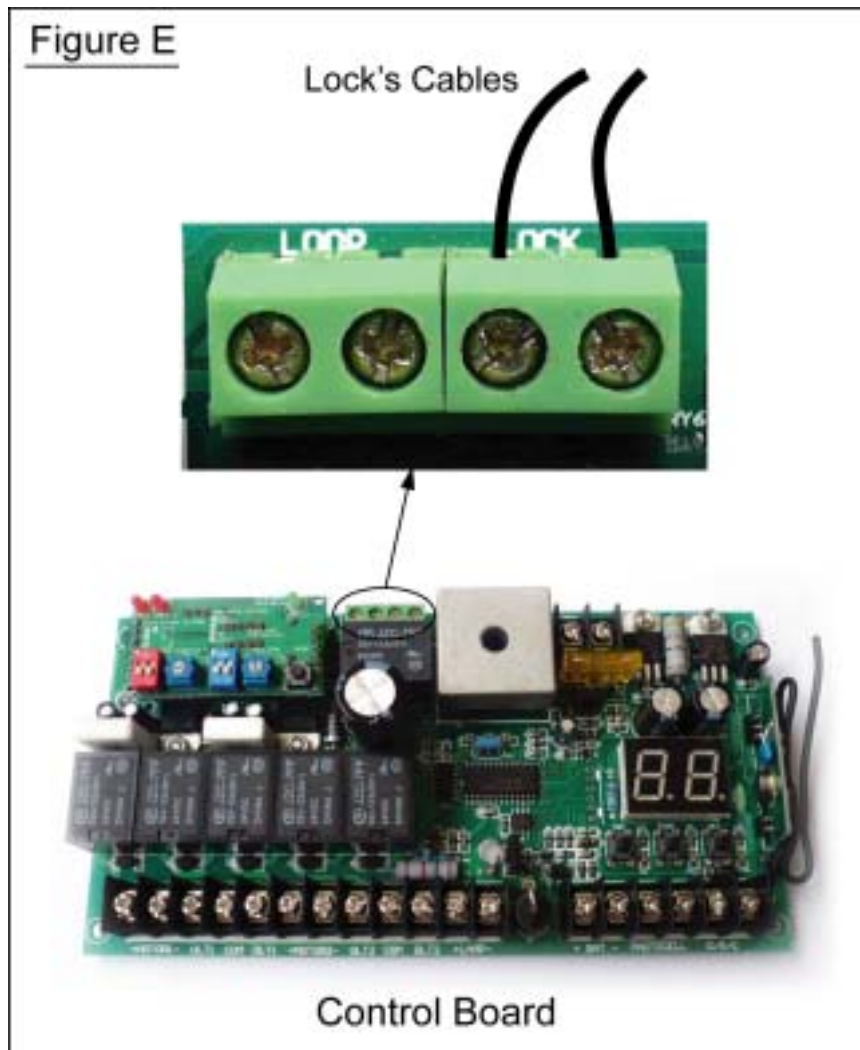
**Step 4:** Recheck the lock's position and alignment, make sure the electric lock to work correctly.

**Step 5:** Connect the lock's power cables to the **Lockmaster 901/902's** control board. (See Figure E)

**Note:** Be sure that the clutches of the openers are engaged before you prepare to activate your openers. (Use the Triangular Key)



## Connecting the Lock to the Control Board of LM901/902





LockMaster™  
16915 SE 272nd Street, Suite 100-105  
Covington WA 98042 USA  
[sales@WholesaleGateOpener.com](mailto:sales@WholesaleGateOpener.com)  
[www.WholesaleGateOpener.com](http://www.WholesaleGateOpener.com)  
©2005-2009 LockMaster All Rights Reserved