

# LockMaster

THE NAME OF QUALITY

## **External Receiver User Manual**

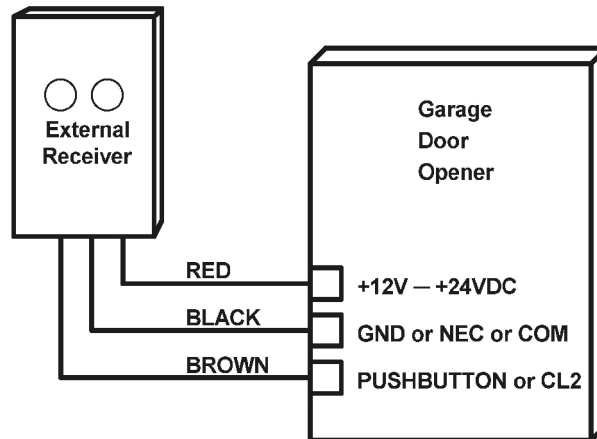
**Model: LM138**

[www.WholesaleGateOpener.com](http://www.WholesaleGateOpener.com)

# UNIVERSAL EXTERNAL RECEIVER WIRE

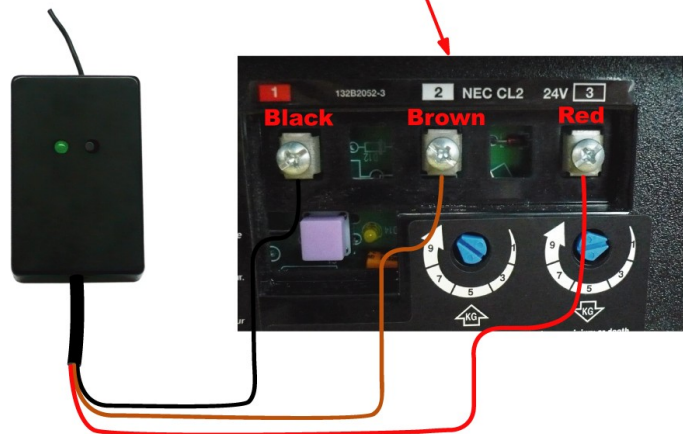
## CONNECTION INSTRUCTION MANUAL

1. Connect the external receiver to the door opener if it is with Aux. 12—24VDC output.



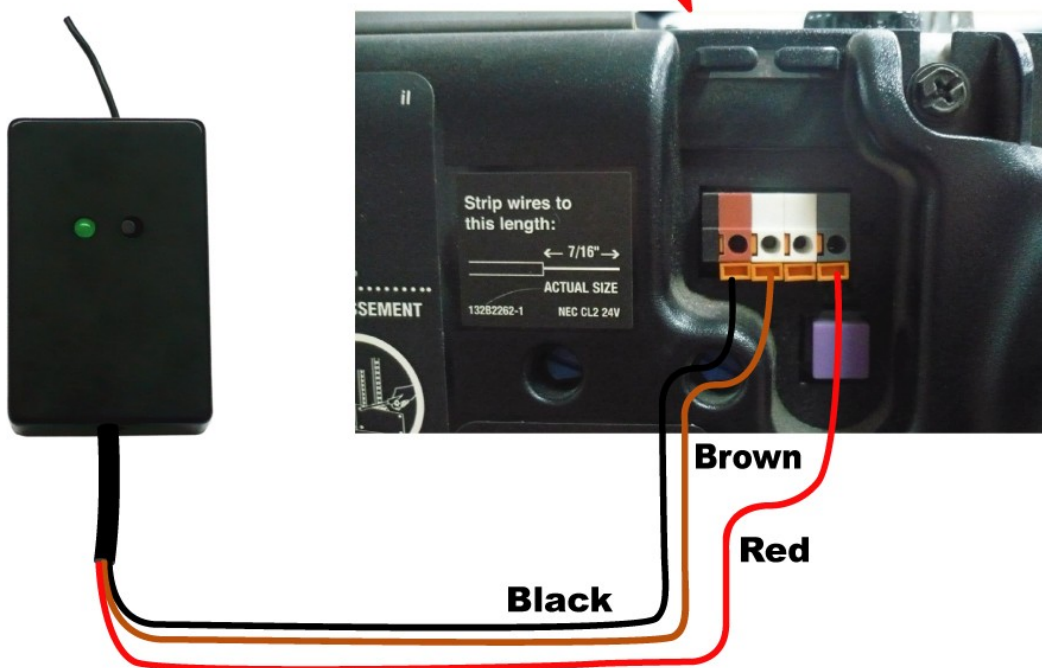
e.g. Connect the external receiver to CRAFTSMAN garage door opener.

- (a). Connect the black wire into "NEC" terminal.
- (b). Connect the brown wire into "CL2" terminal.
- (c). Connect the red wire into "24V" terminal.



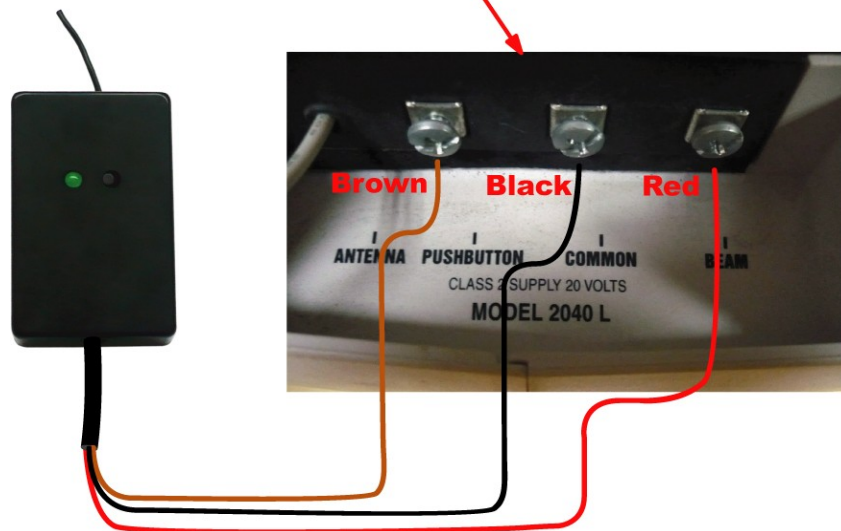
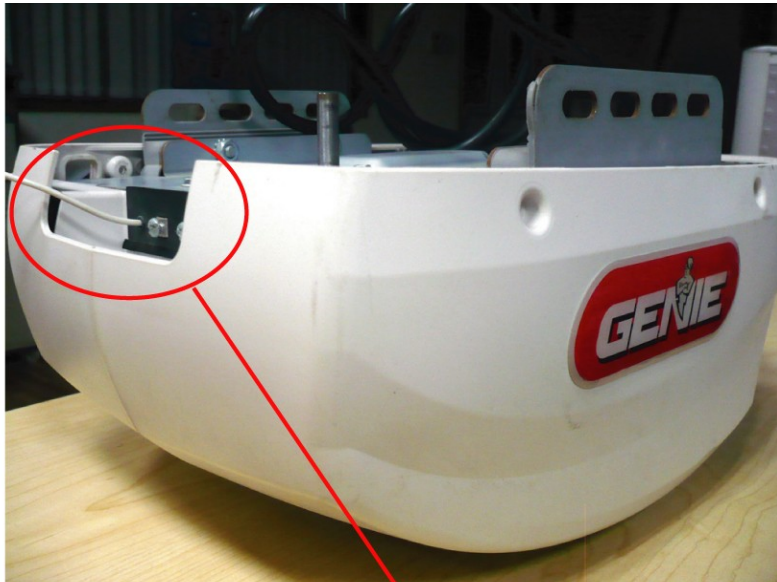
e.g. Connect the external receiver to CHAMBERLAIN garage door opener.

- (a). Connect the black wire into “NEC” terminal.
- (b). Connect the brown wire into “CL2” terminal.
- (c). Connect the red wire into “24V” terminal.



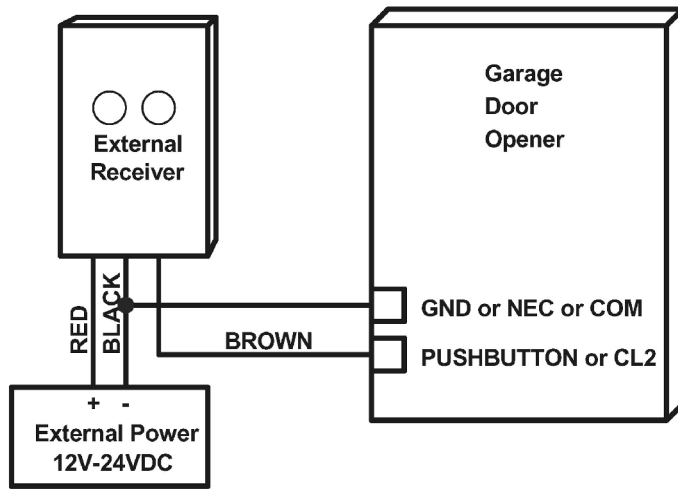
e.g. Connect the external receiver to GENIE garage door opener.

- (a). Connect the black wire into "COMMON" terminal.
- (b). Connect the brown wire into "PUSHBUTTON" terminal.
- (c). Connect the red wire into "BEAM" terminal.



2. Connect the external receiver to the door opener if it is without Aux 12—24VDC output.

In this situation, you need an Aux 12—24VDC power source to help the Receiver to work with the door opener.





# LockMaster

THE NAME OF QUALITY

[sales@WholesaleGateOpener.com](mailto:sales@WholesaleGateOpener.com)

[www.WholesaleGateOpener.com](http://www.WholesaleGateOpener.com)

©2005-2009 LockMaster All Rights Reserved